

# Afia 4060 Gynaecological Examination Chair

Flexible and easy adjustments



Main features:

1. Motorised height, back section and seat section adjustment
2. Small footprint: overall length 140 cm
3. Motorised Trendelenburg position adjustment

The Afia 4060 is an easy to use examination chair that has been developed specifically for gynaecological and urological procedures. It features a two-part top, flexible and easy to use adjustment options and a good level of equipment as standard, such as a neck pillow and paper roll holder. The chairs are available in several upholstery options and colors.

The 4060 features electric height adjustment as well as seat section and back section adjustment with a hand control. The chair can also be used in the Trendelenburg position. There are several different upholstery options available for the product.

**LOJER**® For easy care

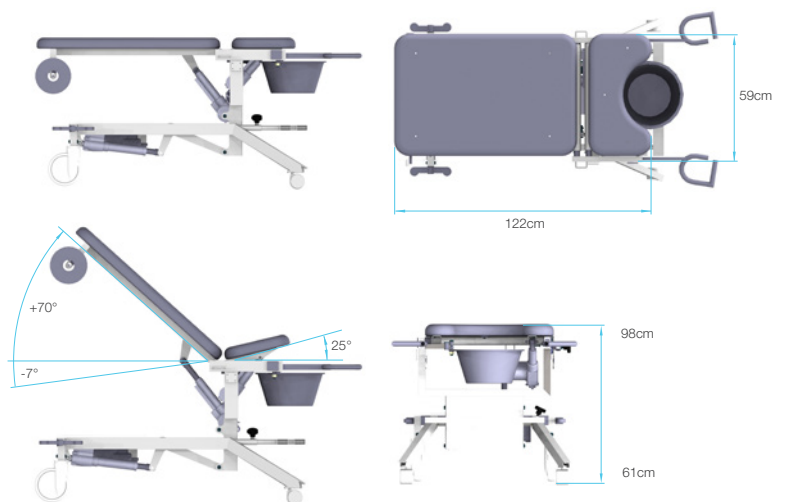
Technical data and features	
Height adjustment	61 - 98 cm
Upholstery width	59 cm
Upholstery length	122 cm
Back section length	87 cm
Seat section length	31 cm
Back section adjustment	-7 ... +70°
Seat section adjustment	0 - 25°
Electrical Trendelenburg adjustment	0 - 7°
Total weight	75 kg
Safe Working Load (SWL)	150 kg
Castors	2 x 65 mm, 2 x 150 mm
Electric system	24V
Other technical standard features	Hand control   adjustable heel supports   gynaecological bowl, includes fixings and adjustment parts   paper roll holder   neck pillow
Upholstery	Several upholstery colors and materials available, please ask for more information
CE -marking	Yes
Country of Manufacture	Finland

#### Factory-installed options:

- Arm supports / stand-up supports
- Foot controller for height adjustment
- Calf supports

#### Other accessories:

- Cutter for paper roll holder



**LOJER**® For easy care

© Lojer Group 2020. All Rights reserved | Lojer Group, Putajantie 42, 38210 Sastamala, Finland | Tel. + 358 (0) 10 830 6700 | info@lojer.com | www.lojer.com

The story of Lojer Group dates back to 1919 when Vammalan Konepaja was founded. In the early years, the company repaired f.ex. bicycles. Today, the company is the largest manufacturer of medical furniture in the Nordic countries and our products are used in 115 countries.