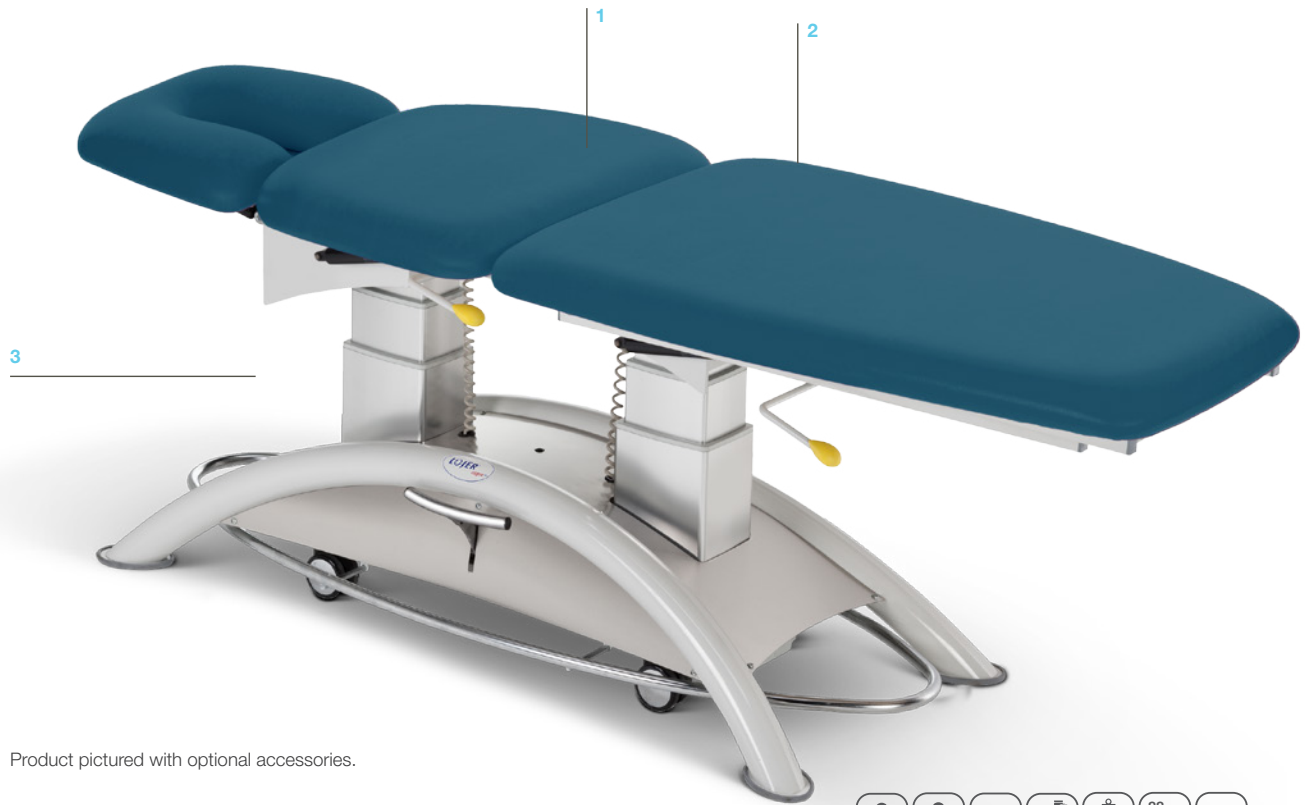


Capre FX3 Treatment table



Product pictured with optional accessories.



Main features:

1. Modern look with trendy and highly durable one-coloured upholstery
2. Safe Working Load (SWL) 250 kg
3. Ergonomic design and plenty of options and accessories make the table versatile and easy to use

The Lojer Capre FX3 is an excellent treatment table with design and features to meet or exceed the needs of even the most demanding users. Its trendy upholstery material with a slightly pearlescent details and the elegant design makes the Lojer Capre FX3 a fine interior decoration element. The upholstery material is extremely durable and the antimicrobial fabric is also easy to clean, waterproof and has great disinfectant features. There are several different upholstery colours and frame cover panels available, such as glossy white or wooden imitation cover. Thanks to a variety of colours and cover combinations, every table's design is truly unique.

The silent Lojer Capre FX3 takes up very little space, as two pillars lift it straight up. Sturdy frame and two separate motor pillars make the table extremely stable - Safe Working Load (SWL) is 250 kg. The table can also be used in the chair position, thanks to the design of the lower frame. Versatile and easy to use adjustments, including gas spring assistance and electric hi-low feature, make therapist's work easier. The stepless adjustable extension, flexion angle of the foot section and multiple height settings help patients get on and off the table.

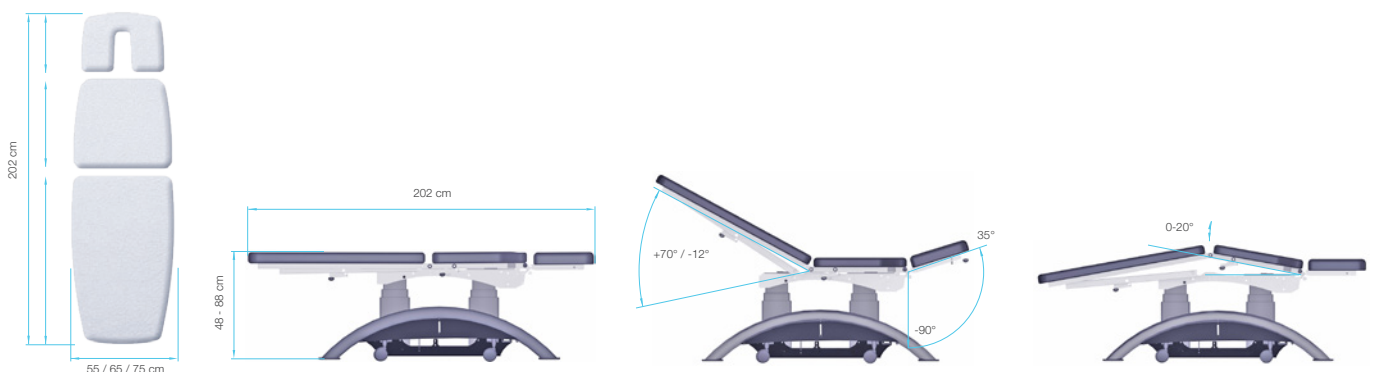
LOJER® For easy care

Technical data and features

Table sections	Three sections: head, back and foot section
Total width	55, 65 and 75 cm
Total length	202 cm
Total weight	110 kg
Height adjustment	48-88 cm
Head section with gas spring	-90° - 35°
Drainage angle	0-20°
Leg raise with gas spring	-12° - 70°
Other standard features	Central locking castors Electrical table top height adjustment with 360° foot bar Head support adjustment with gas spring Head section, oval or U-shaped White painted frame tubing Standard black cover plate
Upholstery	Several material and colour options available, information on request
Safe Working Load (SWL)	250 kg
Electric system	24V
CE-marking	Yes
Warranty	2 years
Country of Manufacture	Finland

Options and accessories:

- Double hinged head support
- Drainage with gas spring
- Drainage with electric assistance
- Battery operation
- Chromium frame tubing
- Several cover options:
wood imitation, stainless steel,
glossy white, carbon fibre and black metal paint
- Paper roll holder (50 or 60 cm)
- Face hole cover
- Extra width upholstery 75cm
- Extra foot control
- Extra hand control
- Side supports



LOJER® For easy care