

SCANDIATM

OPERATING TABLE

TECHNICAL DETAILS

MODELS

- SC330 Scandia for general surgery, incl. seat section, 2 x 25-section, 2 x 40-section and double articulation head rest
- SC330-2 Scandia for general surgery, incl. seat section and 2 x 25-section
- 60300 Sliding top 300 mm, electrical
- 60310 Motorised driving wheel system, forward/backward drive in hand control
- 60305 Directional wheel system, hand control activation
- 60303 Stainless steel covers

DIMENSIONS / WEIGHTS

- Overall length with head plate 2070 mm
- Width 550 mm (615 mm over the siderails)
- Patient weight capacity (SWL) – 350/280/250 kg
- Castors (double structure) Ø 125 mm
- Floor clearance 20/80 mm
- Primary voltage 230 V

ADJUSTMENT RANGES

- Height (without mattresses) 650 - 1010 mm
- Trendelenburg / Reverse trendelenburg 30°/ 30° (or 35°/ 25°)
- Lateral tilt (right/left) 20°/ 20°
- Back section (up/down) 70°/ 35°
- Leg section (up/down) 90°/ 90°

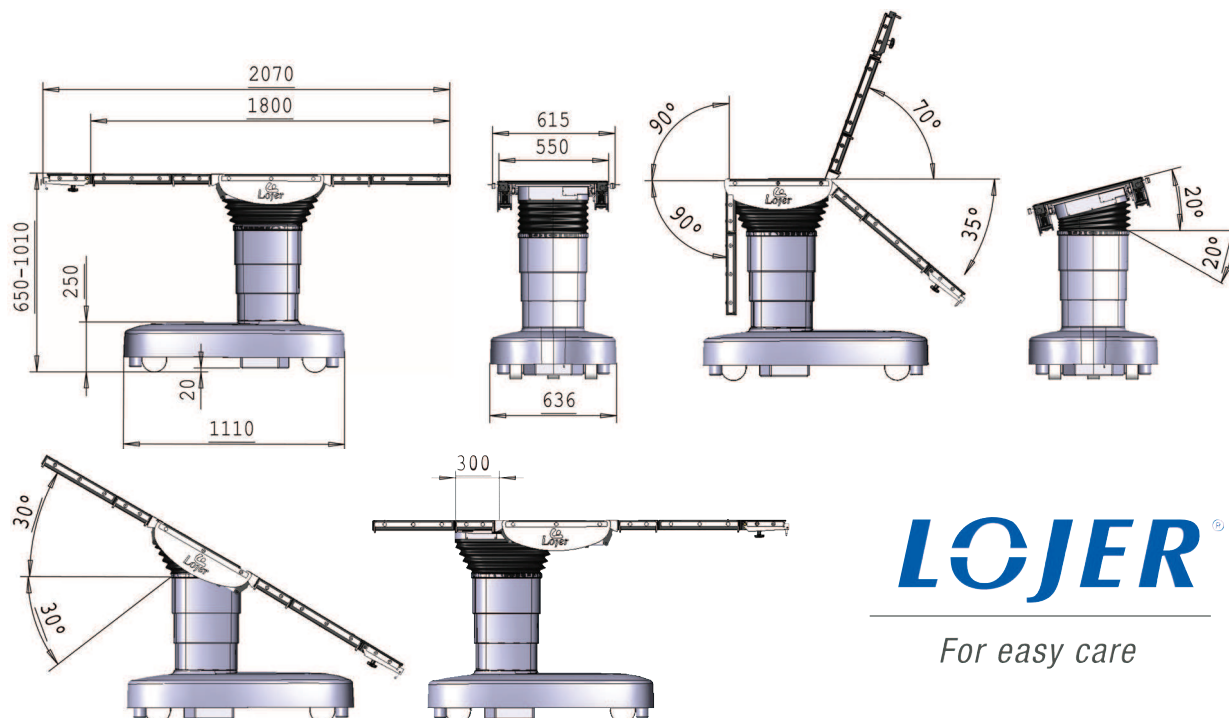
The Scandia Operating Table 330 complies with the following standards: IEC 60601-1, IEC 60601-2-46 and IEC 60601-1-2. CE.



SC330



SC330-2



LOJER[®]

For easy care

SCANDIATM

OPERATING TABLE



LOJER[®]

For easy care

Lojer Group (Finland) is leading Scandinavian manufacturers of medical furniture and physiotherapy equipment. Lojer has developed the Scandia Operating table using the newest technology and knowledge while respecting the long experience in development and manufacturing of Operation tables. The company is well known OEM manufacturer of operating tables and their components with more than 2 000 tables delivered. Lojer is ISO 9001 certified already since 1994. Read more at www.lojer.com.

SCANDIATM

OPERATING TABLE



Scandia is a modern electrohydraulic operating table with highest functionality and versatility for universal surgical procedures. Scandia provides you easy-to-use and cost efficient operating room solution with a long life time.

The modular table top has been designed to conform to the points of articulation of human body and it provides correct support for each surgical procedure. Table height range 650-1010 mm and optional sliding top makes it very flexible for different operations.





SCANDIATM

OPERATING TABLE

EXCELLENT ERGONOMICS AND EASE OF USE

- Modular table top for perfect safety and comfort in patient positioning with help of smooth and accurate electrical adjustments.
- Versatile table top configurations according each surgical procedure.
- Anti-collision system prevents table tops hitting the base cover or floor.
- Thin and easily detachable table top sections assure optimum ergonomics for nursing staff.
- Optional longitudinal table top sliding provides extra functionality like C-arm access.



1 Free width for x-ray is 450 mm through back and leg sections. Optional sliding top for 300 mm longitudinal adjustment towards the head end.

2 Lowest height is only 650 mm. The table top structure is very thin, and due to the coated aluminium side beams it is also extremely light to handle compared to traditional materials.

3 Standard configuration has $\pm 30^\circ$ Trendelenburg. On request, table can also be delivered with 35/25 degrees.

4 The unique latching mechanism is safe and easy to use.

5 All table top sections are interchangeable to provide versatility for all patient sizes and all surgical procedures. Aluminium structures provide light table tops for easy handling.

MAXIMUM CAPACITY, STABILITY AND MOBILITY

- Scandia has exceptional capacity: Maximum overall capacity is 350 kg (when patient centred over the column). Safe working load is 280 kg in normal patient orientation.
- Scandia can be manoeuvred in any direction without effort, and it features optional directional wheel or a driving motor for added comfort.





- The ingenious design makes the Scandia easy to access and work with.
- The unique (safely covered) floor lock system provides excellent stability.
- Two high capacity batteries - the table can even be operated while the batteries are charging.

6 Unique design with three twin castors makes the table extremely easy and light to move in all directions.

lowered to the floor. Forward/backward drive functions in the hand control enable easy transportation with heavy patients.

7 Floor clearance 80 mm for optimising surgical team access to the table.

Scandia has four hydraulic floor locks placed in outer corners for stable positioning during operations.

Optional directional wheel or powered driving wheel unit is activated from the hand control, and the fourth wheel is



SCANDIATM

OPERATING TABLE



WIRELESS HAND CONTROL WITH Bluetooth

- Each Scandia table has two identical hand controllers, and optional wireless hand control unit with in-built battery.
- Clear and logical symbols the accurate adjustments in different environments.
- Safety pairing that prevents using the wireless connecting with wrong table.
- The hand control has ergonomic design and materials for easy and reliable grip.

LED DIAGNOSTICS FOR

- Patient orientation
- Floor locks
- Battery status
- 4th wheel status
- Bluetooth connection



1 Optional foot control unit may be connected simultaneously with both hand control units. Three customer programmable functions including: Height, Lateral Tilt and Trendelenburg.

2 Scandinavian, straight lined table design provides excellent X-ray visibility and makes the table easy to clean from all sides.

3 EASY TO SERVE AND MAINTAIN
PC software for maintenance, service and upgrades (USB connection) • Modular construction and plug-in electrical cable connections for easy maintenance and service • Easily cleanable surfaces





WIDE RANGE OF OT-ACCESSORIES



FLEXIBILITY IN APPLICATIONS



1 Lithotomy position with 3D stirrups (gas spring assisted one hand operation). The patient's position can easily be changed from supine to lithotomy position and vice versa without moving the patient.



4 Lithotomy position with traditional leg supports

5 Knee arthroscopy

6 MIS interventions such as cholecystectomy

7 Cystoscopy/Endourology with 40 cm extension
 - Foot control with three movements
 - Urocatcher available
 - Fluoroscopy area (450 x 400 mm) with extension section

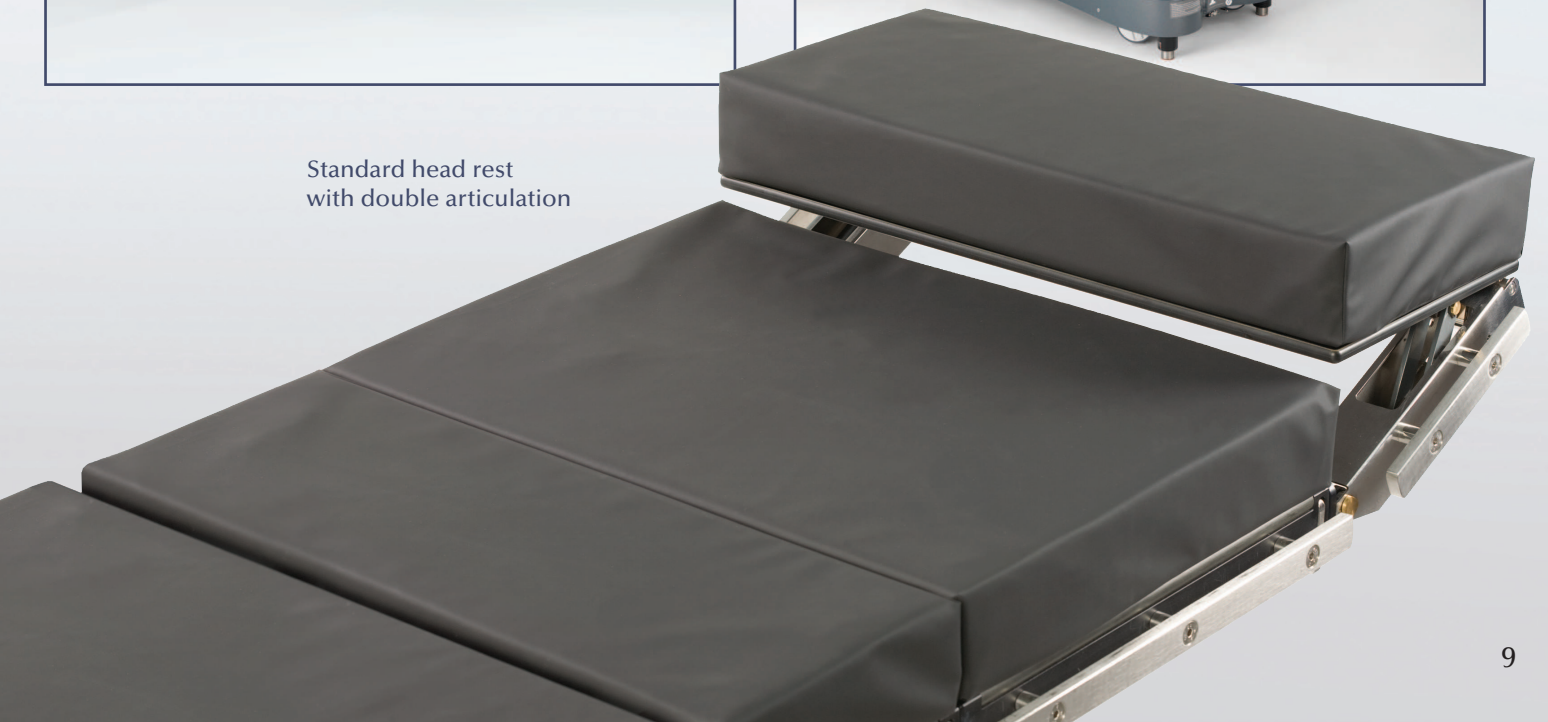
ENDOVASCULAR SURGERY



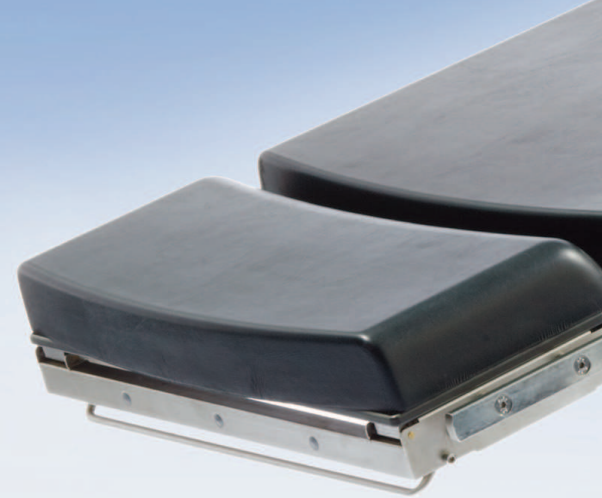
ENT and Ophthalmic surgery



Standard head rest
with double articulation



FLEXIBILITY IN OPERATIONS



- 1 Neurosurgery
- 2 Shoulder surgery
- 3 Lateral position for kidney or thoracic surgery
- 4 General surgery
- 5 Orthopaedic surgery. The orthopaedic attachment is mounted directly to tabletop and follows all its movements. The telescopic beams provide good stability. Abduction and adduction is controlled from the distal side of the attachment and well outside the sterile field.

SCANDIA -MATTRESSES

Viscoelastic mattresses

During operation the patient is forced to be long periods in the same position, and the risk of pressure ulcers is high.

Scandia mattresses have unique double layer structure, in which the upper viscoelastic layer forms according to patient's forms and body temperature.

Scandia mattresses are tested for their conductivity, fluid resistance (infection control), fire safety and their aesthetic qualities. The mattresses have sonically welded antistatic covers and velcro – attachment to the table top.

The selection includes 1-, 3- and 6-piece sets as 75 mm or 120 mm thicknesses. Special thicknesses available on request.

Scandia mattresses fulfill standards ISO10993 (part 10-11), ISO2878 and BS7177.



Moulded mattresses

Standard moulded mattresses are made from integral skin polyurethane and have no seams or joints, making them easy to clean reducing the incident of "hospital acquired infection" They offer excellent patient support and are fully flame retardant, anti-static and contain no latex. Thickness 65 mm.

Stainless steel covers 60303