

Scandia SC440 Prime Operating table



LOJER[®] *For easy care*





Lojer Group – Over 30 years of experience in operating tables

The quality of Lojer operating tables is highly regarded by customers around the world. Lojer operating tables are manufactured in Finland with decades of expertise. Usability, patient safety, ergonomic working and easy cleaning are the cornerstones of our product design philosophy. Combined with user-oriented product development and professional service Lojer operating tables represent first-class cost-effectiveness for the customer.

www.lojer.com






Scandia SC440 Prime
With an excellent
price-quality ratio

The Scandia SC440 Prime is an excellent choice when you are looking for a high-quality and versatile operating table for day and short-stay surgery. The table has all the functionalities and versatility that is required in surgical procedures - and with an excellent price-quality ratio.

As an example of high quality the new motor technique allows simultaneous movements of different sections when using pre-programmed or zero position – making it faster to adjust the table.



A photograph of a Scandia SC440 Prime electric operating table. The table is tilted upwards and features a dark, segmented cushioned top. The base is a light grey color with the 'LOJER' brand name printed in blue. The table is positioned on a dark tiled floor in front of a large window with a view of a city skyline. The background is blurred, showing a prominent circular architectural element.

Scandia SC440 Prime

Functional design

The Scandia SC440 Prime proves that elegant design can also be practical. The electric operating table is carefully designed to provide maximum efficiency and more room for the surgical team to operate. The functional and smart frame construction enables easy cleaning and high level of hygiene – for example, all splatters are led on the floor by the frame.

Due to smart and clear structure the Scandia SC440 Prime is also fast and easy to maintain.





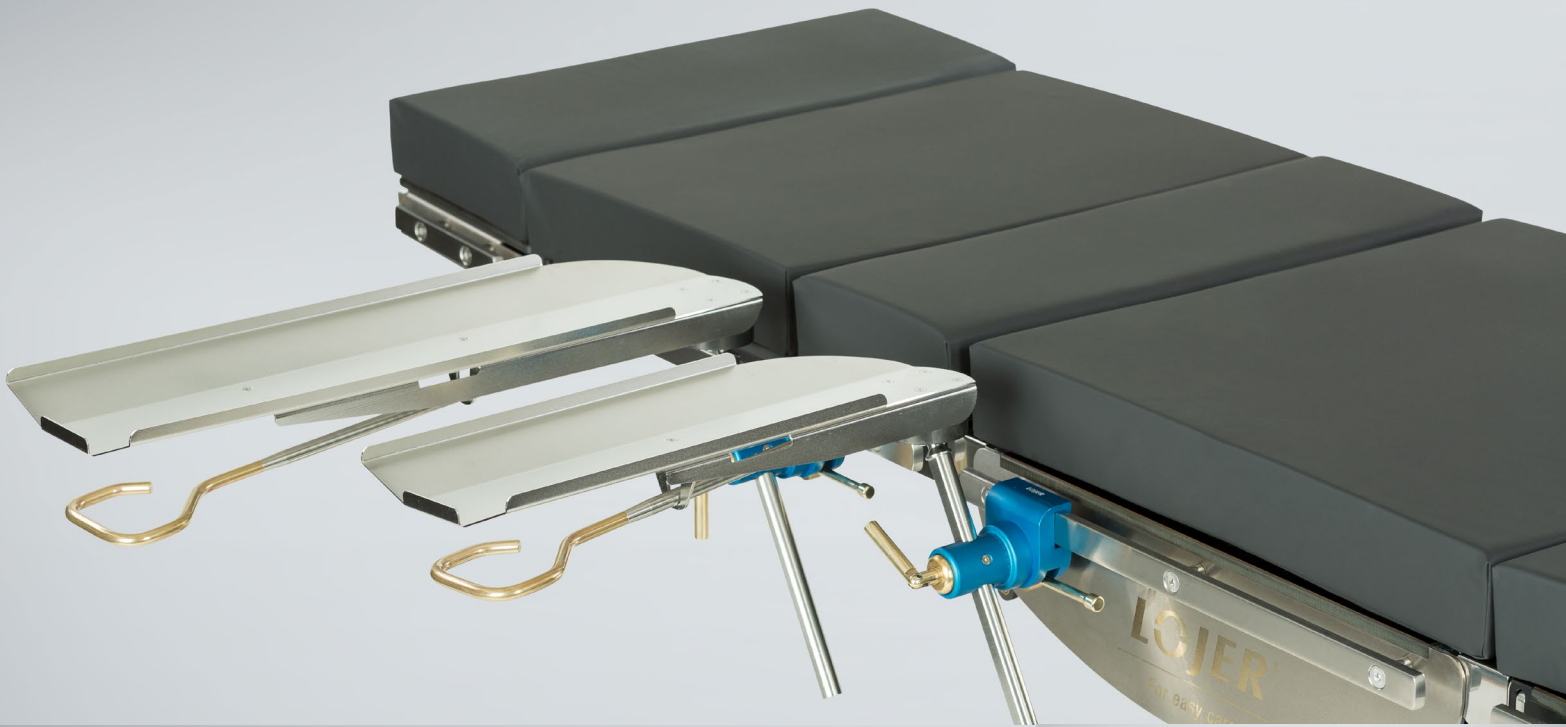
Scandia SC440 Prime

Versatile surgery positions

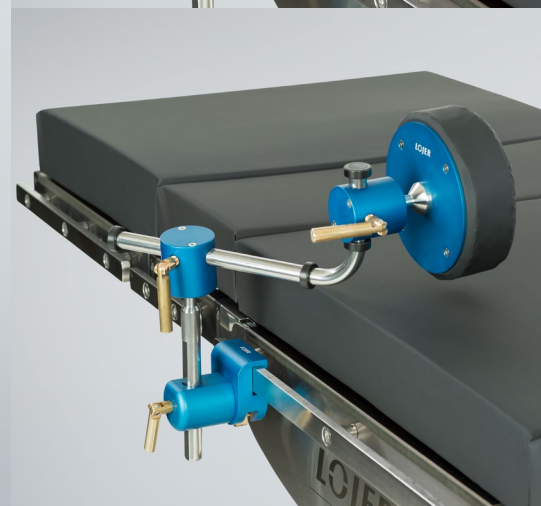
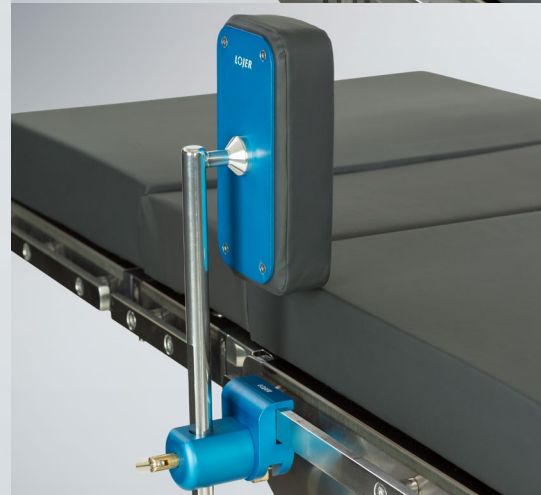
The sliding table-top structure together with modular parts enable a wide range of different surgery positions including flex and reflex positions. Combined with a wide range of accessories the Lojer Scandia SC440 Prime ensures ergonomic and anatomically best posture position for the patient.

The table features four programmable memory positions and zero position.





i Take a look at the Operating table accessories catalogue as well!





Quality guarantee

The Scandia SC440 Prime operating tables are manufactured in Finland in our state-of-art-manufacturing facility in accordance with current standards. Certified ISO 9001 since 1994 and ISO 13485 quality systems are a promise of the responsible action of Lojer Group. Our products undergo a final inspection before delivery to the customer to ensure that they meet the highest requirements. All our products are CE-marked – a sign of our quality, responsibility and commitment to safety.



EXAMPLES OF SURGERY POSITIONS

Arm and hand surgery,
supine position



ENT / plastic / eye surgery,
supine position



**Knee arthroscopy,
supine position**



Spinal surgery,
prone position



Gynaecology and urology surgery,
lithotomy position



Lateral position

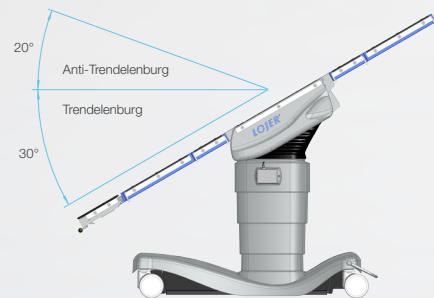
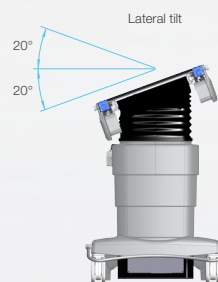
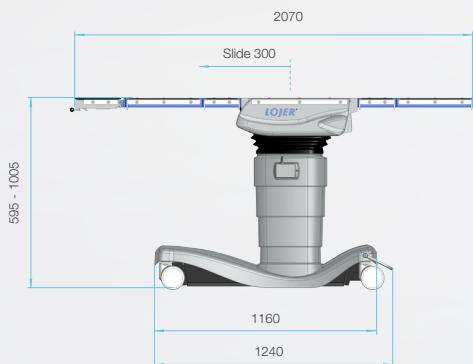


Shoulder surgery,
beach chair position

LOJER® For easy care



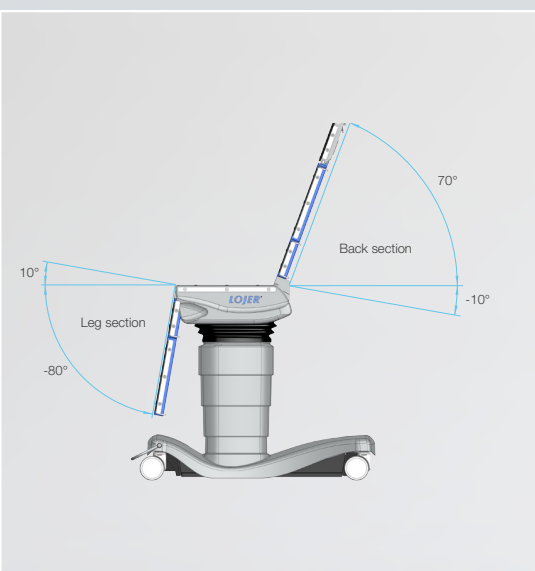
WIDE RANGE OF MODULAR PARTS





Scandia SC440 Prime Technical data

| | |
|------------------------------------|---|
| Total length | 2070 mm |
| Width incl. side rails | 622 mm |
| Mattress width | 550 mm |
| Total weight | 200 kg |
| Safe Working Load (SWL) | 250 kg |
| Height adjustment range | 595–1005 mm |
| Castors | Four Ø 125 mm central locking twin castors |
| Head section | -58° ... +37°, 135 mm |
| Back section | -10° ... +70° |
| Leg section | -80° ... +10° |
| Lateral tilt | 20° / 20° |
| Trendelenburg / Anti-Trendelenburg | 30° / 20° |
| Slide (optional) | 300 mm |
| Flex / reflex | 220° / 120° |
| Electrical system | 24 VDC, battery operated 100 - 240 VAC, 50/60 Hz |
| Controls | Hand control and integrated control panel on the column |
| Memory positions | Four programmable positions |
| Warranty | 2 years |
| Country of manufacture | Finland |
| CE-marked | Yes |



Lojer reserves the right for product modifications.



Lojer Group is the largest manufacturer of medical and healthcare equipment in the Nordic countries. In our two factories in Finland, we manufacture products such as hospital beds, operating tables, examination tables and treatment tables. The company is 100 years old and still privately owned. Lojer products are used in over 110 countries.

www.lojer.com